

FTLRT-78G

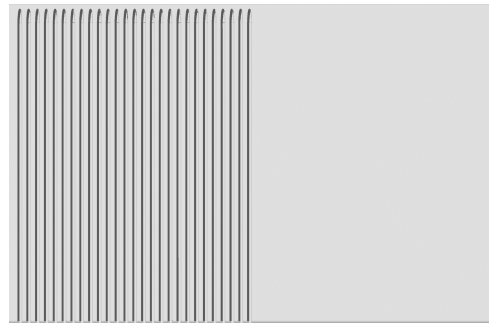
70 SUPERLOTUS TOP GAS GRIDDLE - TOP



Gas Fry-top 1/2 grooved + 1/2 smooth, plate
cm.76x51 - 2 cooking areas (included 1 Head
end filler strip mod.TPA-7)



Construction - Fabricated using CrNi 18/10 AISI 304 grade Stainless Steel Scotch-Brite Satin polish Finish, incorporating 2 mm thick worktop, rounded edges, chromed details and rear splash back. Knobs with waterproof grades IPX5. **Model** - Professional Gas Griddle, Smooth, Ribbed or 50 / 50, Normal or Chrome. Normal Plate in FE430B Steel and Chrome in FE510C Steel. High durability and rapid heat up. Burners with Piezoelectric ignition and pilot light, 50 - 300degC control, thermostatic and thermocouple safety valves, Removable liquid containers. **Maintenance** - All serviceable parts are accessible by the easy removal of front control panel. **Fittings** - Appliance is supplied with both LPG and Natural Gas conversion jets and adjustable feet.

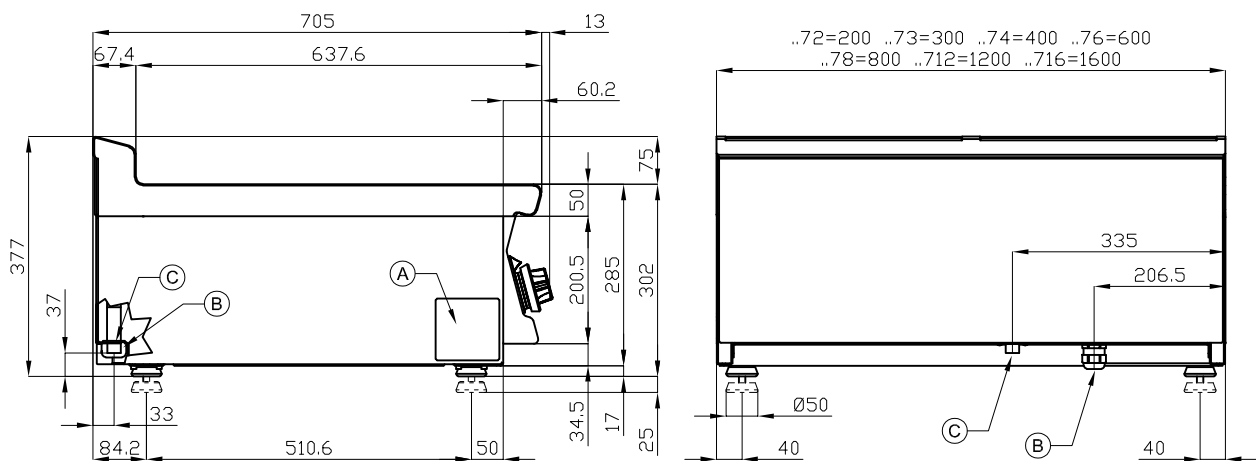


ITALIAN CULINARY ART

The pictures are purely representative. The manufacturer reserves the right to modify the technical data and models without previous notice.

FTLRT-78G

70 SUPERLOTUS TOP
GAS GRIDDLE - TOP



| | | | | | |
|---|------------|--|---|----------------|----------------|
| A | Data plate | | C | Gas connection | ISO 7-1 1/2" M |
|---|------------|--|---|----------------|----------------|

MODEL: FTLRT-78G
 DIMENSIONS: cm. 80x 70,5x 28h
 GAS POWER: 14 kW / 12.040 kcal/h
 GAS TYPE: Natural Gas / LPG



kg: 108
 m³: 0.345
 mm: 830x770x540

BUY LOTUS BUY ITALY

The pictures are purely representative. The manufacturer reserves the right to modify the technical data and models without previous notice.



LOTUS S.P.A. Via Calmaor, 46
 31020 San Vendemiano(TV) - Italy
 Tel. + 39 0438 778020 / 778468
 Fax + 39 0438 778277
 www.lotuscookers.it - lotus@lotuscookers.it