

# FTLRT-76G

## 70 SUPERLOTUS TOP GAS GRIDDLE - TOP



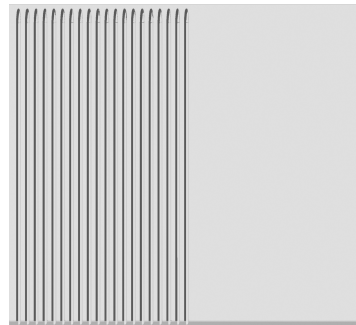
Gas Fry-top 1/2 grooved + 1/2 smooth, plate  
cm.56x51 (included 1 Head end filler strip  
mod.TPA-7)



**Construction** - Fabricated using CrNi 18/10 AISI 304 grade Stainless Steel Scotch-Brite Satin polish Finish, incorporating 2 mm thick worktop, rounded edges, chromed details and rear splash back. Knobs with waterproof grades IPX5. Model - Professional Gas Griddle, Smooth, Ribbed or 50 / 50, Normal or Chrome. Normal Plate in FE430B Steel and Chrome in FE510C Steel. High durability and rapid heat up. Burners with Piezoelectric ignition and pilot light, 50 - 300degC control, thermostatic and thermocouple safety valves, Removable liquid containers.

**Maintenance** - All serviceable parts are accessible by the easy removal of front control panel.

**Fittings** - Appliance is supplied with both LPG and Natural Gas conversion jets and adjustable feet.

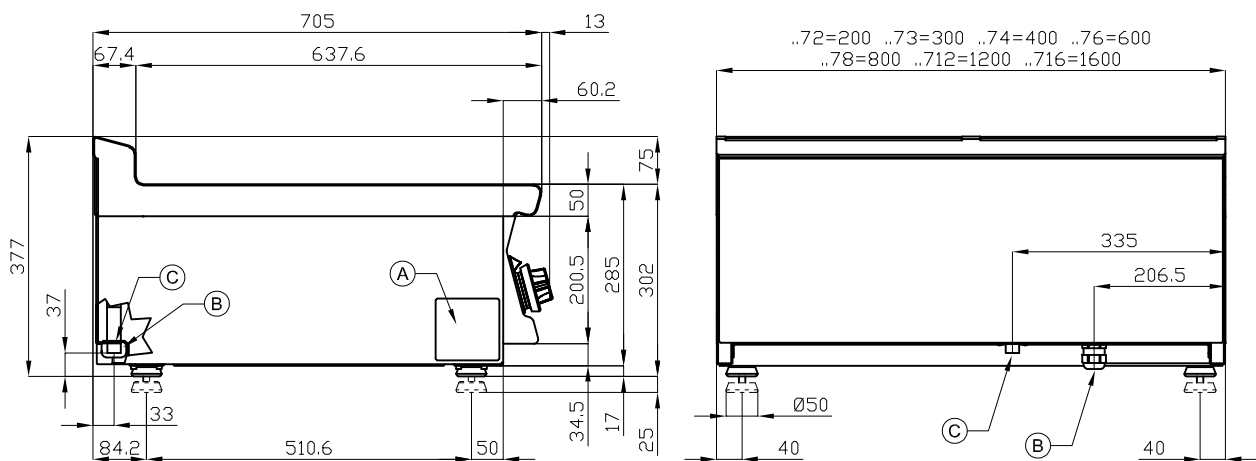


ITALIAN CULINARY ART

The pictures are purely representative. The manufacturer reserves the right to modify the technical data and models without previous notice.

# FTLRT-76G

70 SUPERLOTUS TOP  
GAS GRIDDLE - TOP



A	Data plate		C	Gas connection	ISO 7-1 1/2" M
---	------------	--	---	----------------	----------------

MODEL: FTLRT-76G  
 DIMENSIONS: cm. 60x 70,5x 28h  
 GAS POWER: 10,5 kW / 9.030 kcal/h  
 GAS TYPE: Natural Gas / LPG



kg: 68  
 m<sup>3</sup>: 0.262  
 mm: 630x770x540

BUY LOTUS BUY ITALY

The pictures are purely representative. The manufacturer reserves the right to modify the technical data and models without previous notice.



LOTUS S.P.A. Via Calmaor, 46  
 31020 San Vendemiano(TV) - Italy  
 Tel. + 39 0438 778020 / 778468  
 Fax + 39 0438 778277  
 www.lotuscookers.it - lotus@lotuscookers.it