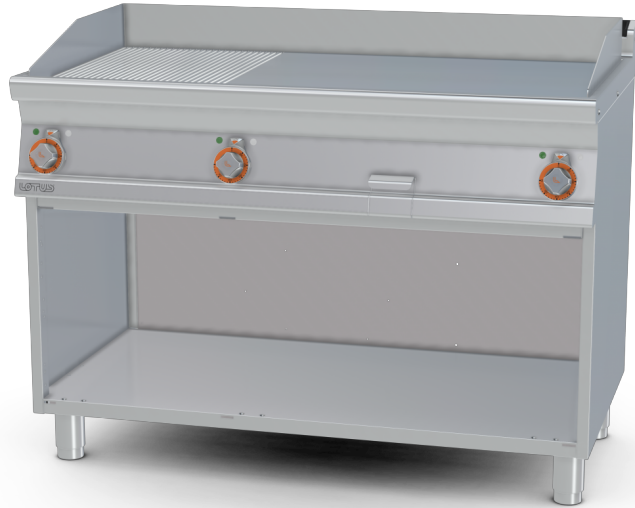


FTLR-712ET3

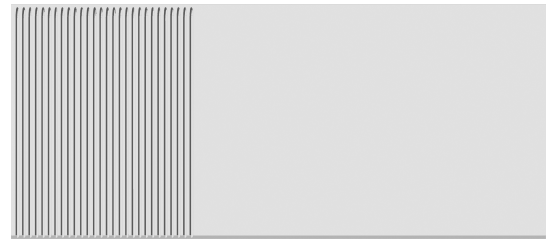
70 SUPERLOTUS ELECTRIC GRIDDLE



Electric Fry-top 1/3 grooved + 2/3 smooth,
on open cabinet, plate cm.116x51 - 3
cooking areas (included 1 Head end filler
strip mod.TPA-7)



Construction -Fabricated using CrNi 18/10 AISI 304 grade Stainless Steel Scotch-Brite Satin polish Finish, incorporating 2 mm thick worktop, rounded edges, chromed details and rear splash back. Knobs with waterproof grades IPX5. Model - Professional Electric Griddle, Smooth, Ribbed or 50 / 50, Normal or Chrome, on open cabinet. Normal Plate in FE430B Steel and Chrome in FE510C Steel. Double thermostat, operating and safety. High durability and rapid heat up. 50 - 300degC control, Removable liquid containers. Maintenance - All serviceable parts are accessible by the easy removal of front control panel. Fittings - Appliance is supplied with adjustable feet. Doors not included.



ITALIAN CULINARY ART

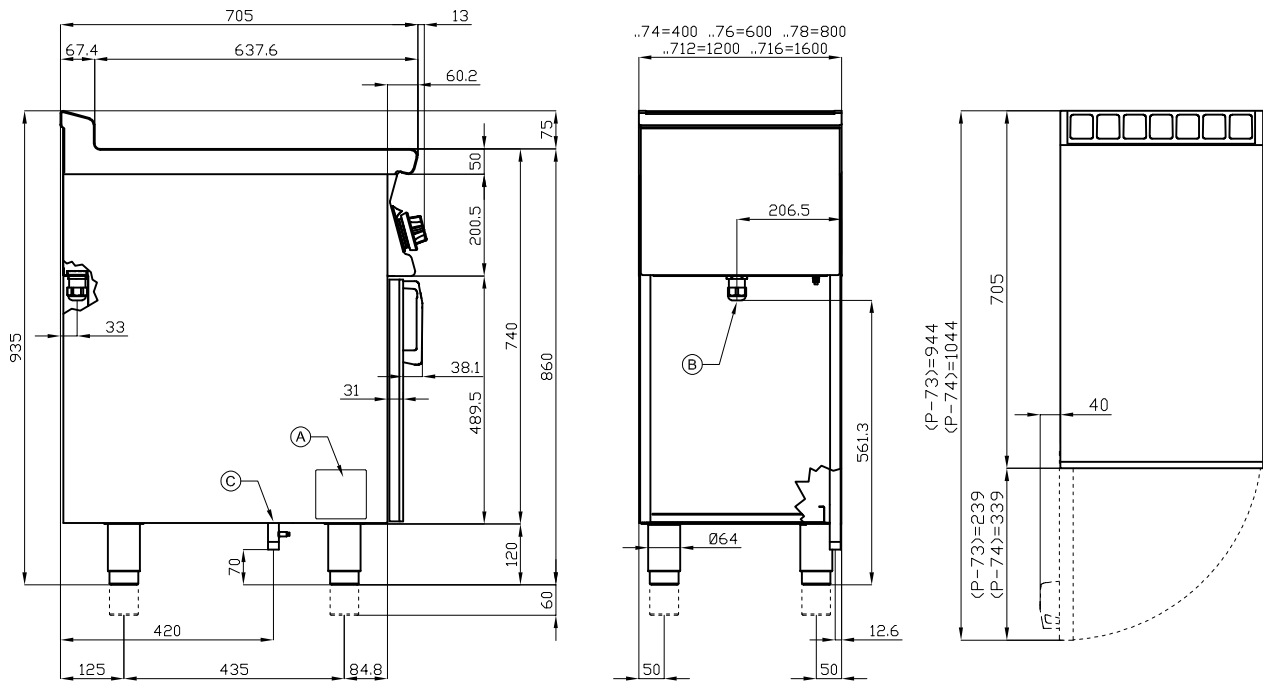
The pictures are purely representative. The manufacturer reserves the right to modify the technical data and models without previous notice.

FTLR-712ET3

70 SUPERLOTUS
ELECTRIC GRIDDLE



View 3D



A	Data plate		B	Electrical connection	
---	------------	--	---	-----------------------	--

MODEL: FTLR-712ET3
DIMENSIONS: cm. 120x 70,5x 90h
ELECTRIC POWER: 16,65 KW
VOLTAGE: 400V~3N
FREQUENCY: 50/60 Hz



kg: 150
m³: 1.051
mm: 1230x770x1110

BUY LOTUS BUY ITALY

The pictures are purely representative. The manufacturer reserves the right to modify the technical data and models without previous notice.



LOTUS S.P.A. Via Calmaor, 46
31020 San Vendemiano(TV) - Italy
Tel. + 39 0438 778020 / 778468
Fax + 39 0438 778277
www.lotuscookers.it - lotus@lotuscookers.it