

CW-4ET

65 MAGICPROF ELECTRIC GRILL

Electric grill threephase - Stainless steel
adjustable grill cm. 38x47



Construction - Fabricated using CrNi 18/10 AISI 304 grade Stainless Steel Scotch-Brite Satin polish Finish, incorporating 1mm thick worktop, rounded edges, chromed details and rear splash back. **Model** - Professional Electric Grill. Fitted with water compartment and special reflective system to optimise heat, Removable liquid containers.

Maintenance - All serviceable parts are accessible by the easy removal of front control panel. **Fittings** - Appliance is supplied with adjustable feet.

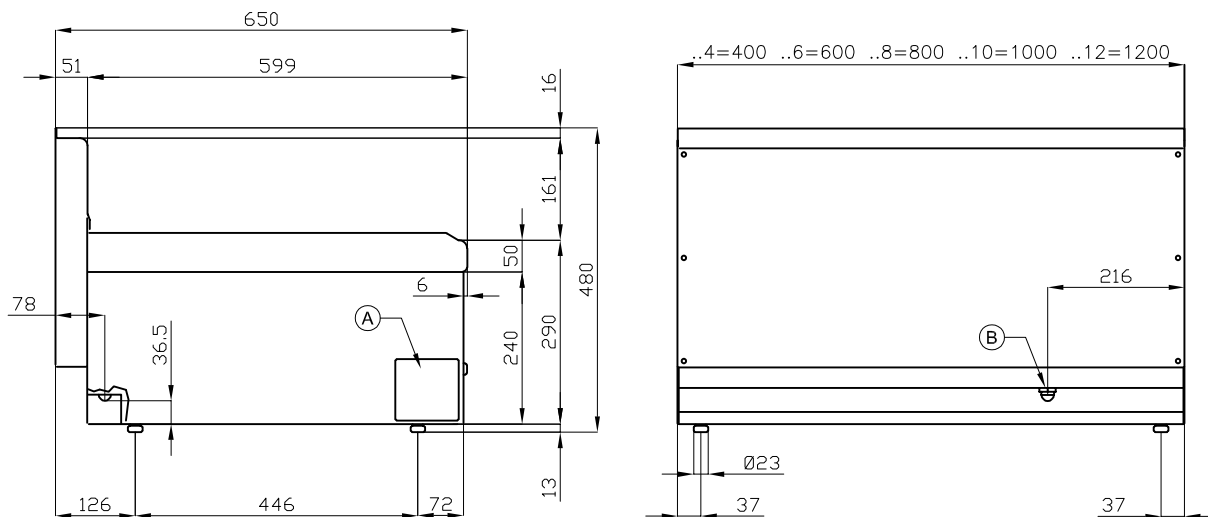


ITALIAN CULINARY ART

The pictures are purely representative. The manufacturer reserves the right to modify the technical data and models without previous notice.

CW-4ET

65 MAGICPROF
ELECTRIC GRILL



A	Data plate		B	Electrical connection	
---	------------	--	---	-----------------------	--

MODEL: CW-4ET
DIMENSIONS: cm. 40x 65x 29h
ELECTRIC POWER: 6 kW
VOLTAGE: 400V~3N / 230V~3
FREQUENCY: 50/60 Hz



kg: 35.5
m³: 0.181
mm: 430x690x610

BUY LOTUS BUY ITALY

The pictures are purely representative. The manufacturer reserves the right to modify the technical data and models without previous notice.



LOTUS S.P.A. Via Calmaor, 46
31020 San Vendemiano(TV) - Italy
Tel. + 39 0438 778020 / 778468
Fax + 39 0438 778277
www.lotuscookers.it - lotus@lotuscookers.it