

CFQ6-712ETV

70 SUPERLOTUS ELECTRIC COOKERS

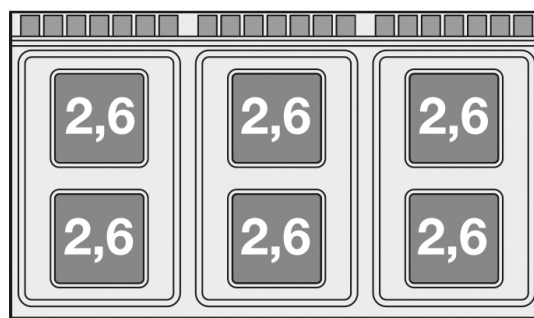


View 3D

Electric range - N. 6 square plates Traditional electric oven cm. 67x55x34h, temp: 50÷300°C, with 1 grid cm.65x53 GN2/1 - Neutral cabinet with door (included 1 Head end filler strip mod.TPA-7)



Construction - Fabricated using CrNi 18/10 AISI 304 grade Stainless Steel Scotch-Brite Satin polish Finish, incorporating 2 mm thick worktop, rounded edges, chromed details and rear splash back. Knobs with waterproof grades IPX5. Model - Professional Electric Cooker with static or ventilated electric oven, with or without side compartment. Cast Iron square or round hot plates with steel border seals, seven position switch and temperature limiter. Ceramic glass tops with radiant heat hot plates on entire cook top and warning lights for residual heat, electric oven with 50 - 300degC control. Maintenance - All serviceable parts are accessible by the easy removal of front control panel. Fittings - Appliance is supplied with adjustable feet.



ITALIAN CULINARY ART

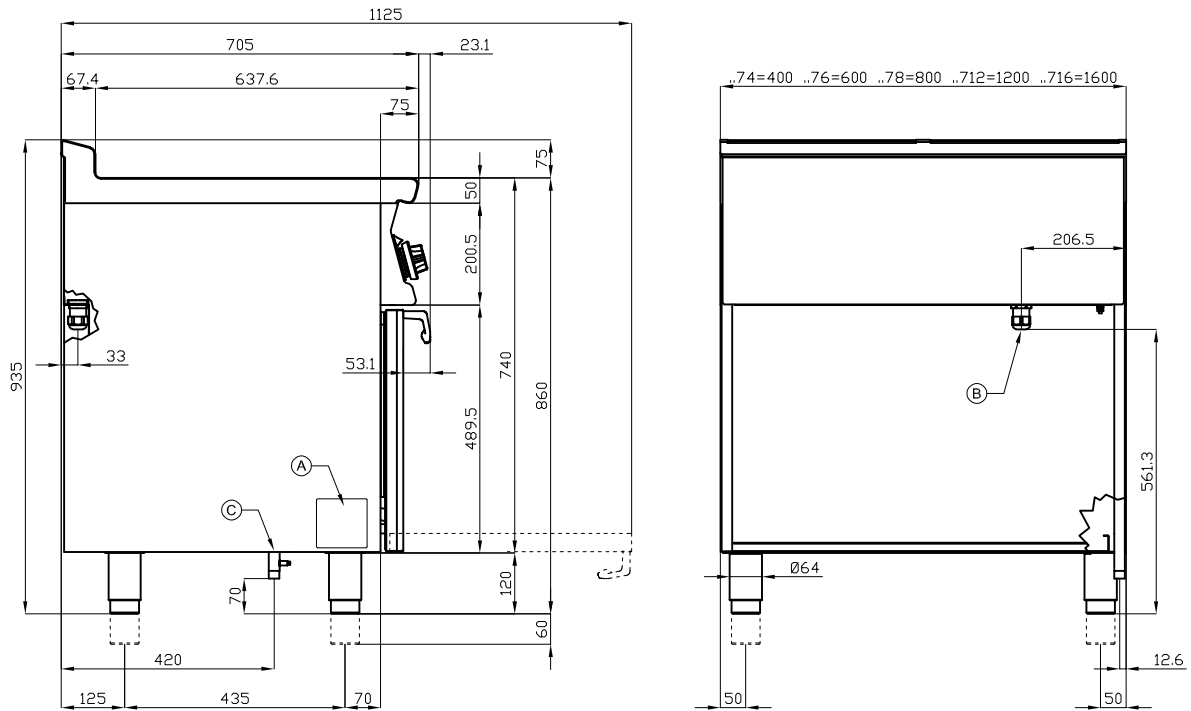
The pictures are purely representative. The manufacturer reserves the right to modify the technical data and models without previous notice.

CFQ6-712ETV

70 SUPERLOTUS
ELECTRIC COOKERS



View 3D



A	Data plate	B	Electrical connection
---	------------	---	-----------------------

MODEL: CFQ6-712ETV
 DIMENSIONS: cm. 120x 70,5x 90h
 ELECTRIC POWER: 20,6 kW
 VOLTAGE: 400V~3N
 FREQUENCY: 50/60 Hz



kg: 146
 m³: 1.051
 mm: 1230x770x1110

BUY LOTUS BUY ITALY

The pictures are purely representative. The manufacturer reserves the right to modify the technical data and models without previous notice.



LOTUS S.P.A. Via Calmaor, 46
 31020 San Vendemiano(TV) - Italy
 Tel. + 39 0438 778020 / 778468
 Fax + 39 0438 778277
 www.lotuscookers.it - lotus@lotuscookers.it