

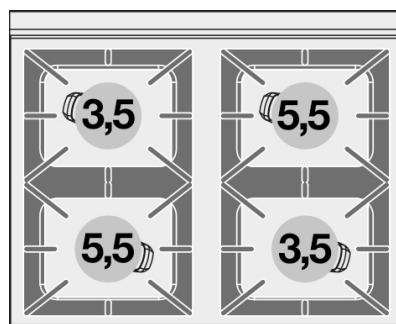
# CF4-8G

## 65 MAGICPROF GAS COOKERS

Gas range - N. 4 burners - Gas static oven  
with grill cm. 64x39x35h, temp: 125÷275°C,  
with 1 grid cm.53x32,5 GN1/1 - Stainless  
steel door



Construction - Fabricated using CrNi 18/10 AISI 304 grade Stainless Steel Scotch-Brite Satin polish Finish, incorporating 1mm thick worktop, rounded edges, chromed details and rear splash back. Model - Professional Gas Cooker with static gas oven. Burners with electric ignition and thermocouple safety valves. Modulating flame burners, grills in cast iron, removable liquid collectors. Electric ignition oven. Oven with 150-300degC control, thermocouple safety valves. Maintenance - All serviceable parts are accessible by the easy removal of front control panel and liquid collectors. Fittings - Appliance is supplied with both LPG and Natural Gas conversion jets and adjustable feet.

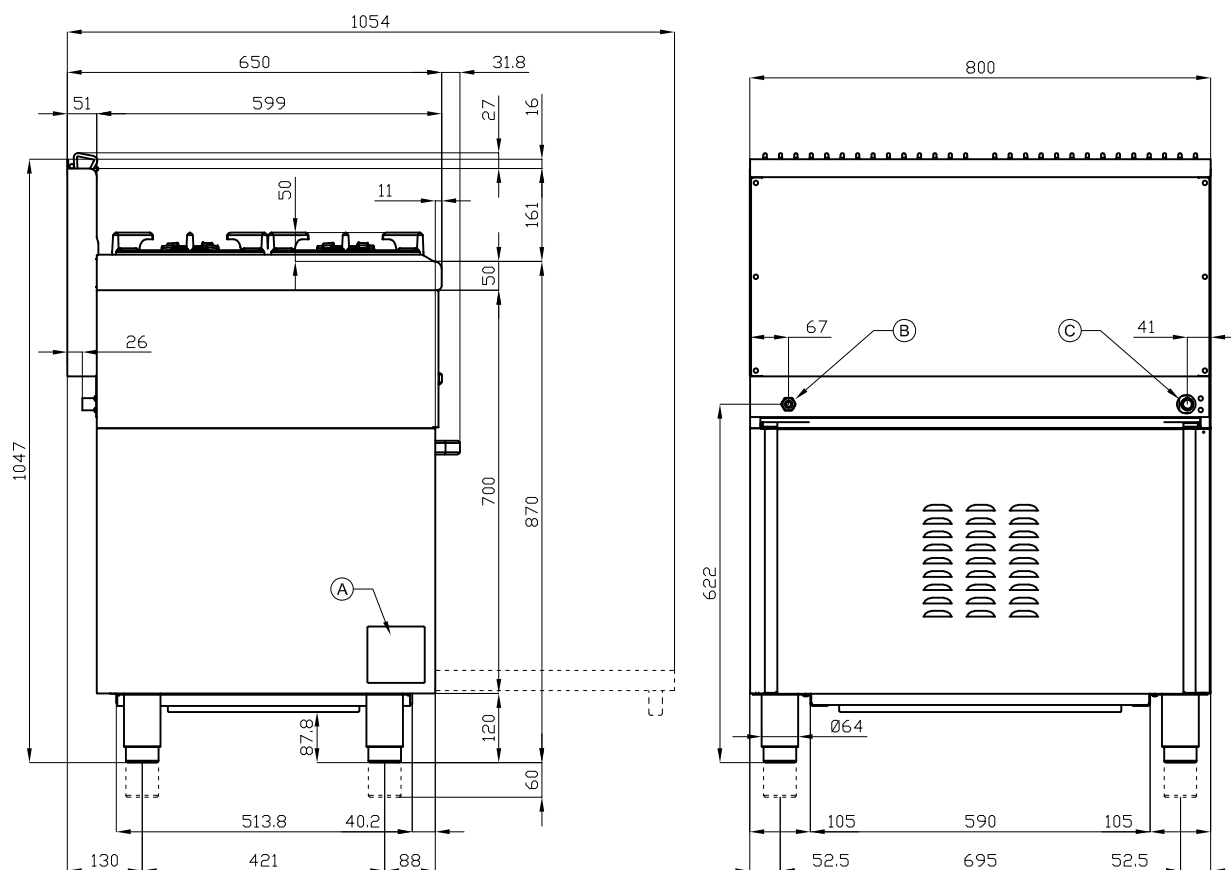


ITALIAN CULINARY ART

The pictures are purely representative. The manufacturer reserves the right to modify the technical data and models without previous notice.

# CF4-8G

65 MAGICPROF  
GAS COOKERS



A	Data plate		B	Electrical connection	
C	Gas connection	ISO 7-1 1/2" M			

MODEL: CF4-8G  
 DIMENSIONS: cm. 80x 65x 87h  
 GAS POWER: 22 kW / 18.920 kcal/h  
 GAS TYPE: Natural Gas / LPG  
 ELECTRIC POWER: 0,03 kW  
 VOLTAGE: 230V~  
 FREQUENCY: 50/60 Hz



kg: 97  
 m<sup>3</sup>: 0.78  
 mm: 830x770x1220

BUY LOTUS BUY ITALY

The pictures are purely representative. The manufacturer reserves the right to modify the technical data and models without previous notice.



LOTUS S.P.A. Via Calmaor, 46  
 31020 San Vendemiano(TV) - Italy  
 Tel. + 39 0438 778020 / 778468  
 Fax + 39 0438 778277  
 www.lotuscookers.it - lotus@lotuscookers.it