

# CF3-612GV

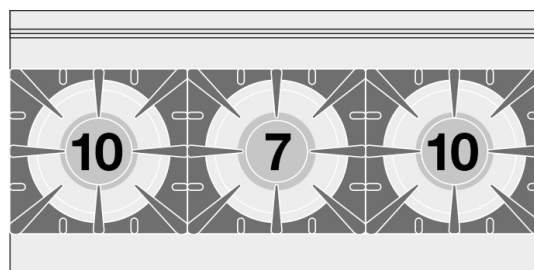
60 MAGICLOTUS  
GAS COOKERS



Gas range - N. 3 burners - Gas static oven  
with grill cm. 67x38x34h, temp: 125÷275°C,  
with 1 grid cm.65x36 - Neutral cabinet with  
door



**Construction** - Fabricated using CrNi 18/10 AISI 304 grade Stainless Steel Scotch-Brite Satin polish Finish, incorporating 1mm thick worktop, rounded edges, chromed details and rear splash back. Knobs with waterproof grades IPX5. **Model** - Professional Gas Cooker with static gas oven, with or without side compartment. Burners with electric ignition (CF2/CF3 with pilot light ignition) and thermocouple safety valves. Modulating flame burners, grills in cast iron, removable liquid collectors. Piezoelectric ignition oven for CF2/CF3. Oven with 150-300degC control, thermocouple safety valves. **Maintenance** - All serviceable parts are accessible by the easy removal of front control panel and liquid collectors. **Fittings** - Appliance is supplied with both LPG and Natural Gas conversion jets and adjustable feet.



ITALIAN CULINARY ART

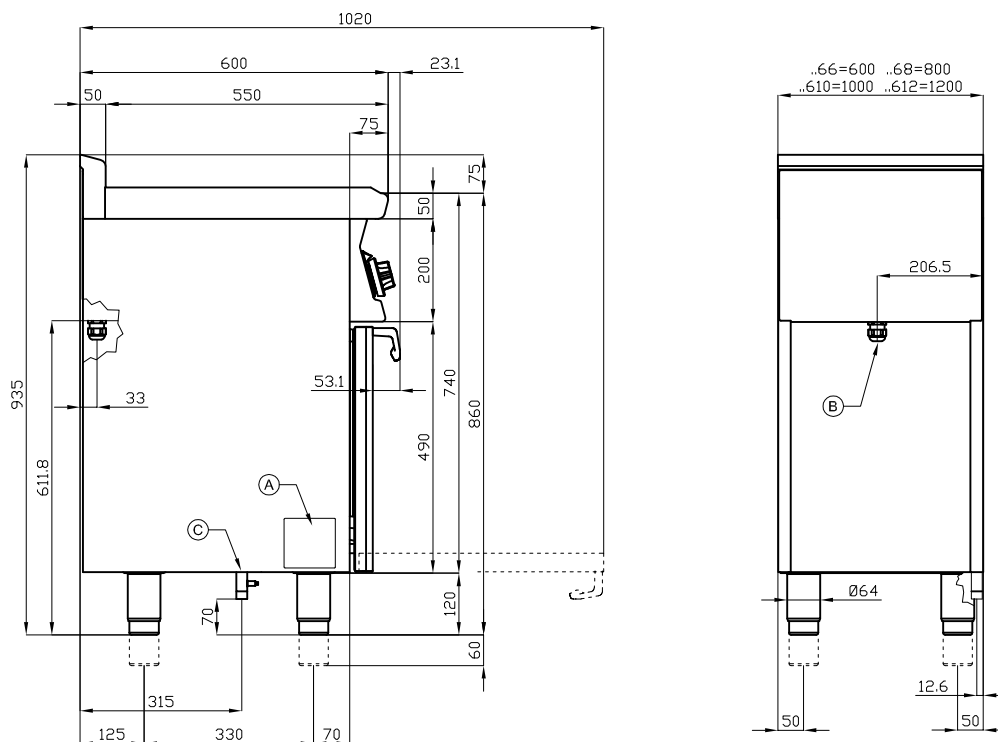
The pictures are purely representative. The manufacturer reserves the right to modify the technical data and models without previous notice.

# CF3-612GV

60 MAGICLOTUS  
GAS COOKERS



View 3D



A	Data plate		C	Gas connection	ISO 7-1 1/2" M
---	------------	--	---	----------------	----------------

MODEL: CF3-612GV  
 DIMENSIONS: cm. 120x 60x 90h  
 GAS POWER: 31 kW / 26.660 kcal/h  
 GAS TYPE: Natural Gas / LPG



kg: 102  
 m<sup>3</sup>: 0.915  
 mm: 1230x670x1110

BUY LOTUS BUY ITALY

The pictures are purely representative. The manufacturer reserves the right to modify the technical data and models without previous notice.



LOTUS S.P.A. Via Calmaor, 46  
 31020 San Vendemiano(TV) - Italy  
 Tel. + 39 0438 778020 / 778468  
 Fax + 39 0438 778277  
 www.lotuscookers.it - lotus@lotuscookers.it