

BRT-66G

60 MAGICLOTUS

FIXED GAS BRATT PANS - TOP



Gas bratt-pan - Capacity 20 litres - Pan cm.
50,5x41x10 h



Construction - Fabricated using CrNi 18/10 AISI 304 grade Stainless Steel Scotch-Brite Satin polish Finish, incorporating 1mm thick worktop, rounded edges, chromed details and rear splash back. Knobs with waterproof grades IPX5. **Model** - Professional Gas Bratt Pan with 100mm deep single tank with highly efficient conductive stainless steel base. removable tank. Piezoelectric ignition, pilot light. Thermocouple safety valves. **Maintenance** - All serviceable parts are accessible by the easy removal of front control panel. **Fittings** - Appliance is supplied with both LPG and Natural Gas conversion jets and adjustable feet.



ITALIAN CULINARY ART

The pictures are purely representative. The manufacturer reserves the right to modify the technical data and models without previous notice.

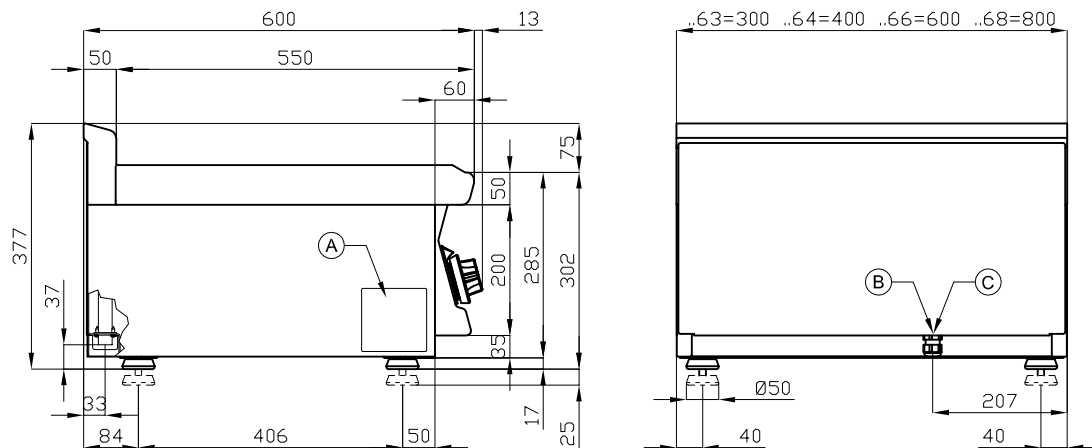
BRT-66G

60 MAGICLOTUS

FIXED GAS BRATT PANS - TOP



View 3D



A	Data plate	C	Gas connection	ISO 7-1 1/2" M
---	------------	---	----------------	----------------

MODEL: BRT-66G
DIMENSIONS: cm. 60x 60x 28h
GAS POWER: 6,9 kW / 5.930 kcal/h
GAS TYPE: Natural Gas / LPG



kg: 46
m³: 0.283
mm: 630x690x650

BUY LOTUS BUY ITALY

The pictures are purely representative. The manufacturer reserves the right to modify the technical data and models without previous notice.



LOTUS S.P.A. Via Calmaor, 46
31020 San Vendemiano(TV) - Italy
Tel. + 39 0438 778020 / 778468
Fax + 39 0438 778277
www.lotuscookers.it - lotus@lotuscookers.it