

BR-6G

65 MAGICPROF FIXED GAS BRATT PANS

Gas bratt-pan - Capacity 20 litres - Pan cm.
50,5x41x10 h



Construction - Fabricated using CrNi 18/10 AISI 304 grade Stainless Steel Scotch-Brite Satin polish Finish, incorporating 1mm thick worktop, rounded edges, chromed details and rear splash back. **Model** - Professional Gas Bratt Pan with 100mm deep fixed single tank with highly efficient conductive stainless steel base, removable tank. Piezoelectric ignition, pilot light. Thermocouple safety valves. **Maintenance** - All serviceable parts are accessible by the easy removal of front control panel. **Fittings** - Appliance is supplied with both LPG and Natural Gas conversion jets and adjustable feet.

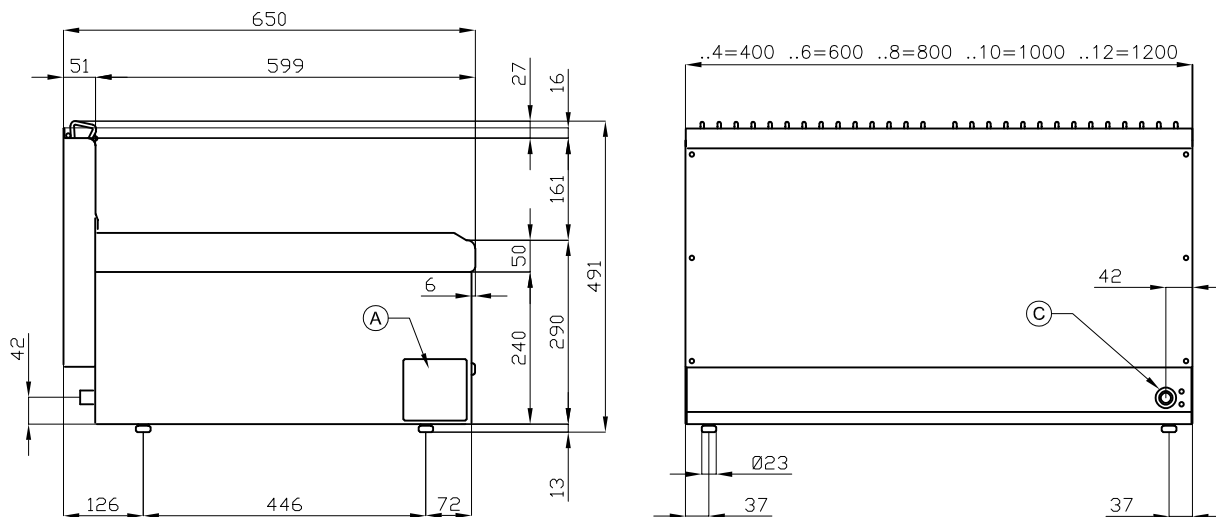


ITALIAN CULINARY ART

The pictures are purely representative. The manufacturer reserves the right to modify the technical data and models without previous notice.

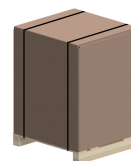
BR-6G

65 MAGICPROF FIXED GAS BRATT PANS



A	Data plate	C	Gas connection	ISO 7-1 1/2" M
---	------------	---	----------------	----------------

MODEL: BR-6G
DIMENSIONS: cm. 60x 65x 29h
GAS POWER: 6,9 kW / 5.930 kcal/h
GAS TYPE: Natural Gas / LPG



kg: 46
m³: 0.265
mm: 630x690x610

BUY LOTUS BUY ITALY

The pictures are purely representative. The manufacturer reserves the right to modify the technical data and models without previous notice.



LOTUS S.P.A. Via Calmaor, 46
31020 San Vendemiano (TV) - Italy
Tel. + 39 0438 778020 / 778468
Fax + 39 0438 778277
www.lotuscookers.it - lotus@lotuscookers.it