

# BR-6ET

## 65 MAGICPROF FIXED ELECTRIC BRATT PANS

Bratt-pan threephase - Cap. 20 litres - Pan  
cm. 50,5x41x10h



Construction - Fabricated using CrNi 18/10 AISI 304 grade Stainless Steel Scotch-Brite Satin polish Finish, incorporating 1mm thick worktop, rounded edges, chromed details and rear splash back. Model - Professional Electric Bratt Pan with 100mm deep fixed single tank with highly efficient conductive stainless steel base, thermostatically controlled up to 300deg C, removable tank. Maintenance - All serviceable parts are accessible by the easy removal of front control panel. Fittings - Appliances supplied with adjustable feet.



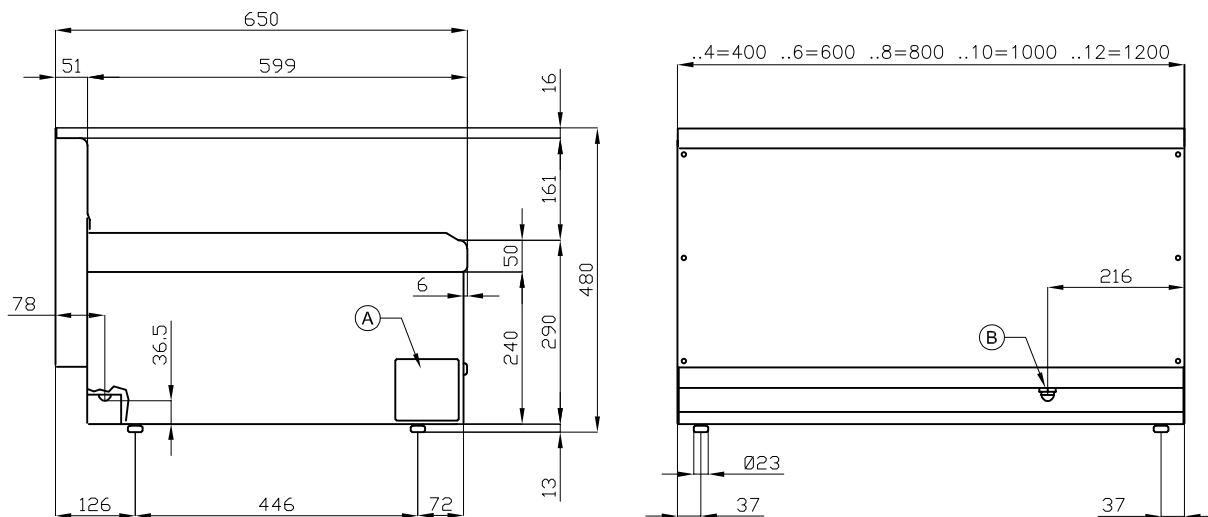
ITALIAN CULINARY ART

The pictures are purely representative. The manufacturer reserves the right to modify the technical data and models without previous notice.

# BR-6ET

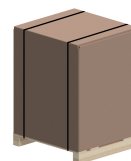
65 MAGICPROF

FIXED ELECTRIC BRATT PANS



A	Data plate		B	Electrical connection	
---	------------	--	---	-----------------------	--

MODEL: BR-6ET  
DIMENSIONS: cm. 60x 65x 29h  
ELECTRIC POWER: 6 kW  
VOLTAGE: 400V~3N / 230V~3  
FREQUENCY: 50/60 Hz



kg: 47  
m<sup>3</sup>: 0.265  
mm: 630x690x610

BUY LOTUS BUY ITALY

The pictures are purely representative. The manufacturer reserves the right to modify the technical data and models without previous notice.



LOTUS S.P.A. Via Calmaor, 46  
31020 San Vendemiano(TV) - Italy  
Tel. + 39 0438 778020 / 778468  
Fax + 39 0438 778277  
www.lotuscookers.it - lotus@lotuscookers.it